

# Combiflex

**CF 20** Signage at its most elegant



# Combiflex CF 20

**Saving time, money and effort**



Combiflex CF 20 is an innovative development of an already well-established and proven information and signage system.

Combiflex CF 20 completely satisfies the requirements for a truly functional system that offers ease of use and versatility. This is especially true when information has to be altered quickly and simply. In case of organizational changes, Combiflex CF 20 will save time, money, and effort.

Besides efficient labeling through paper inserts, adhesive text, engraving and silk screen printing can be used with Combiflex CF 20.

# The ultimate sign system



Combiflex CF 20 will emphasize your organisation's corporate identity. It will integrate with your building's style and reflect your individual colours and designs.



## Practical in use, superior in quality

Combiflex CF 20 signs convince with style, functionality and technical performance

- Attractive design
- Slim construction
- Distinct edge detail
- Selection of colours for edges and panels
- Available with a separate mounting plate
- Double-sided labeling possible
- Option of self-labeling using paper inserts in DIN formats



## Door signs

A choice of four standard widths and eight standard heights is available with Combiflex CF 20. The individual information panels, which are made from aluminium and can be inscribed on both sides, are supplied in six different heights: 16, 32, 48, 64, 96 and 128 mm.

## Pictograms

Stylish, clear and individual, Combiflex pictograms are well thought-out components based on a sophisticated concept. Of excellent quality, they can be personalized to suit particular house styles.

These signs are available in two widths and three heights.

## Directional signs

Combiflex directional signs are constructed from a minimum number of components. The CF 20 system is ideal for signs on individual floors, smaller centrally located signs and information panels up to a maximum size of 410 x 392 mm.

Larger format signs are easily produced using the Combiflex CF 10 system.

## Desk signs

Broad experience of sign manufacture has gone into the development of Combiflex desk signs to ensure maximum ease of use. Capable of carrying information on all three sides, they have removable end caps that allow panels to be slid in and out simply and quickly without the need for screwdrivers or other tools.

# Choose your profile

## Four different edge trims



Standard



Segment



Individual



Triangle

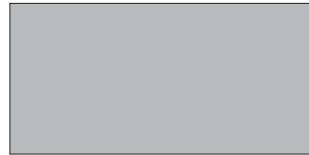
## Standard colours

### Edge trims

RAL 9010  
Pure white



Natural  
anodised  
aluminium



RAL 3000  
Fire red



RAL 5002  
Ultramarine  
blue



### Panels

RAL 9010  
Pure white



Natural  
anodised  
aluminium



RAL 9002  
Grey white



The colours shown in this brochure are for general guidance purposes only.

# Sign printing has never been ea

Choose from four different labeling methods

**Klebetext**

Adhesive lettering

**Gravur**

Engraved

**Siebdruck**

Silk screen print

**Einschubstreifen**

Paper insert

*Panels can be printed on both sides*

**Fast, safe, versatile**



With the new snap fastening, the sign can be opened or closed in seconds. Simple pressure on the upper edge trim enables it to be removed in order to allow the information panels to be easily and quickly taken out from the top and exchanged.

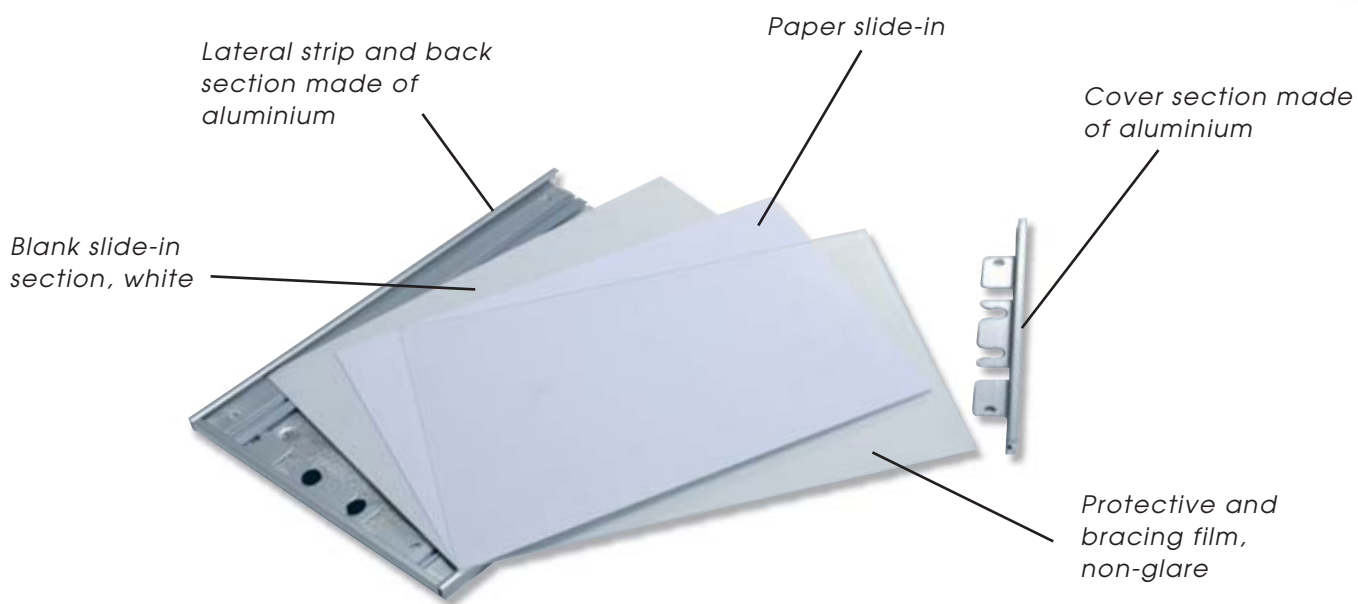
And the new system also provides a security feature. By using the special safety catch, the sign can be protected from unauthorized opening.



## Replace the contents lightning-fast!

### Variability at your service:

Next to signage made of adhesive letters, as screenprints or engravings, you have the additional choice of paper inserts. Enter the wording in the computer, print it out, cut it to size and fit it into the sign or panel – it's as simple as that.



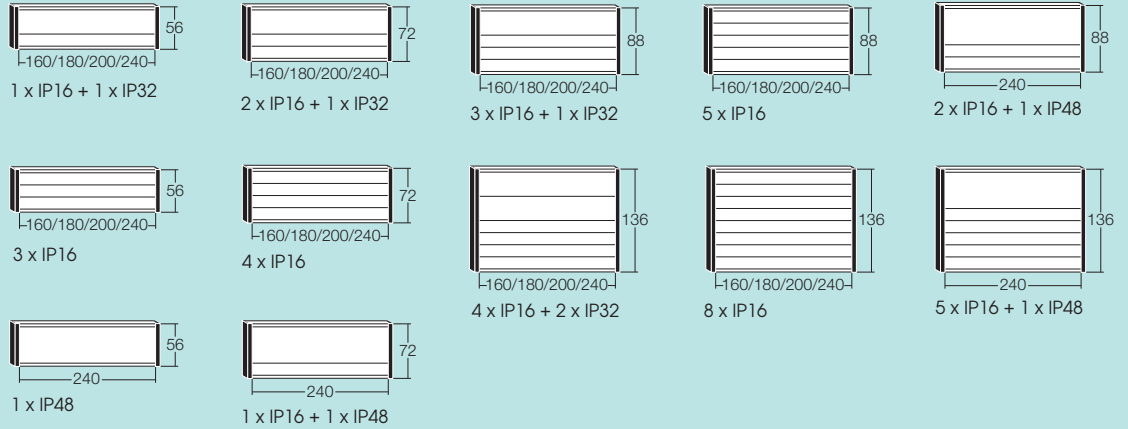
## Standard sizes

Standard signs for paper inserts in the following DIN formats easily available:

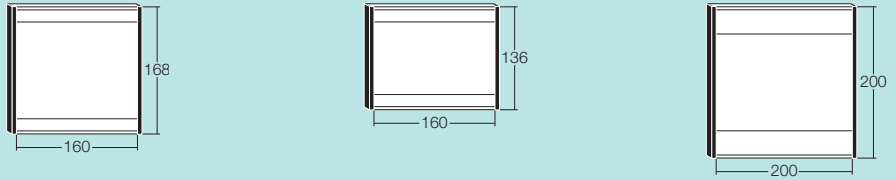
- A6** landscape format 148 x 105 mm
- A5** landscape format 210 x 148 mm
- A5** portrait format 148 x 210 mm
- A4** landscape format 297 x 210 mm
- A4** portrait format 210 x 297 mm
- A3** landscape format 420 x 297 mm
- A3** portrait format 297 x 420 mm

# Combiflex CF 20

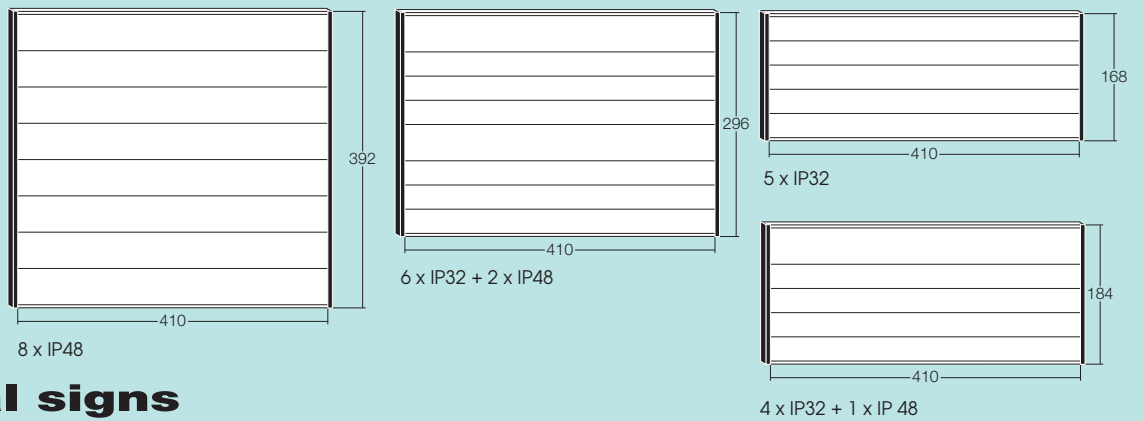
## Standard sizes



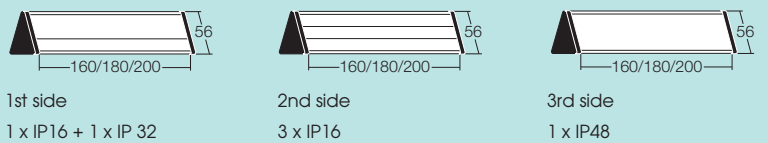
## Door signs



## Pictograms

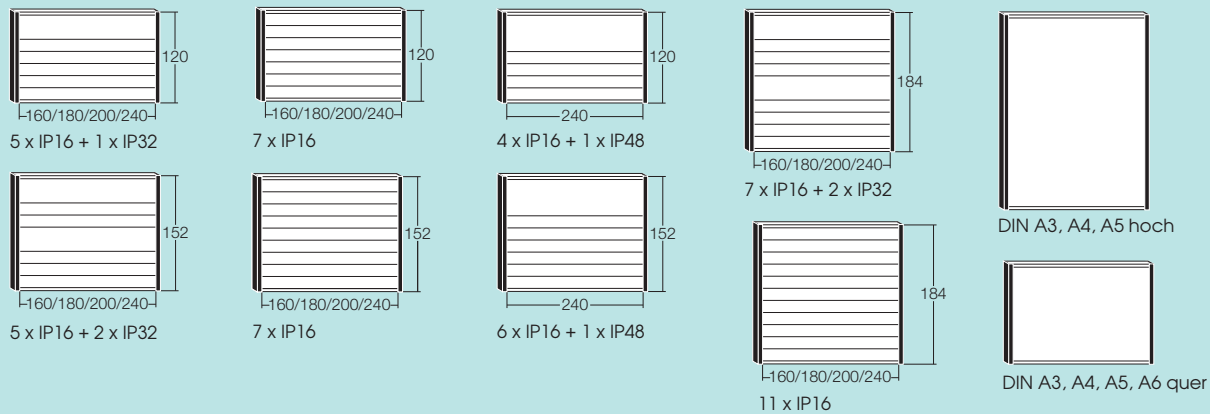


## Directional signs

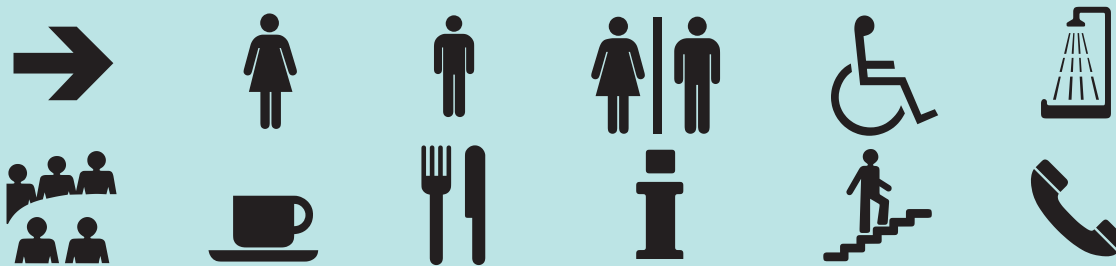


## Desk signs

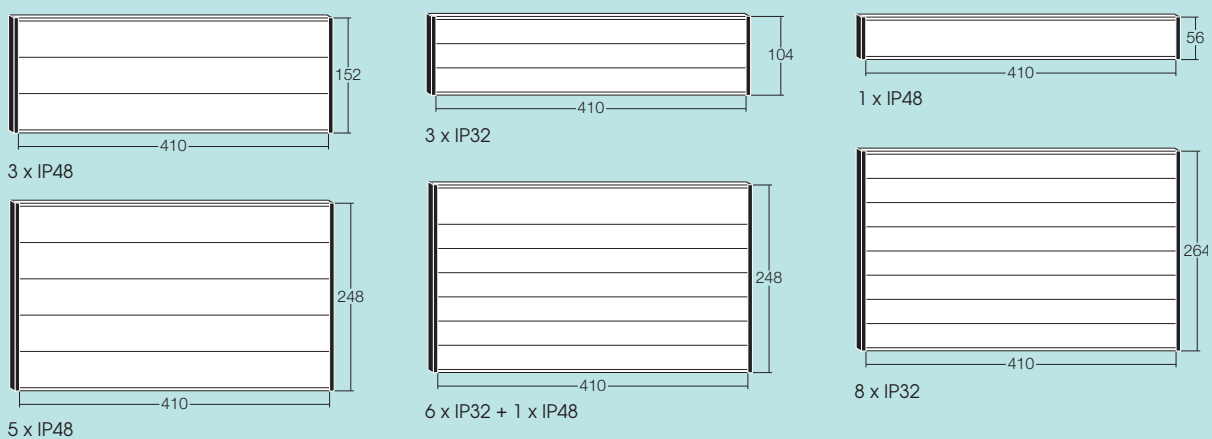




The simple and internationally comprehensible pictograms are immediately recognisable from their pictorial motifs.



The pictograms illustrated in this brochure are just a selection of the complete range that can be supplied.



The sizes shown are standard. Information panels of other dimensions can be supplied on request. The layout and sequence of the information panels can be altered to suit individual requirements.

All dimensions in mm.

# Practical and universal.

## The fixing alternatives

### Wall mounting

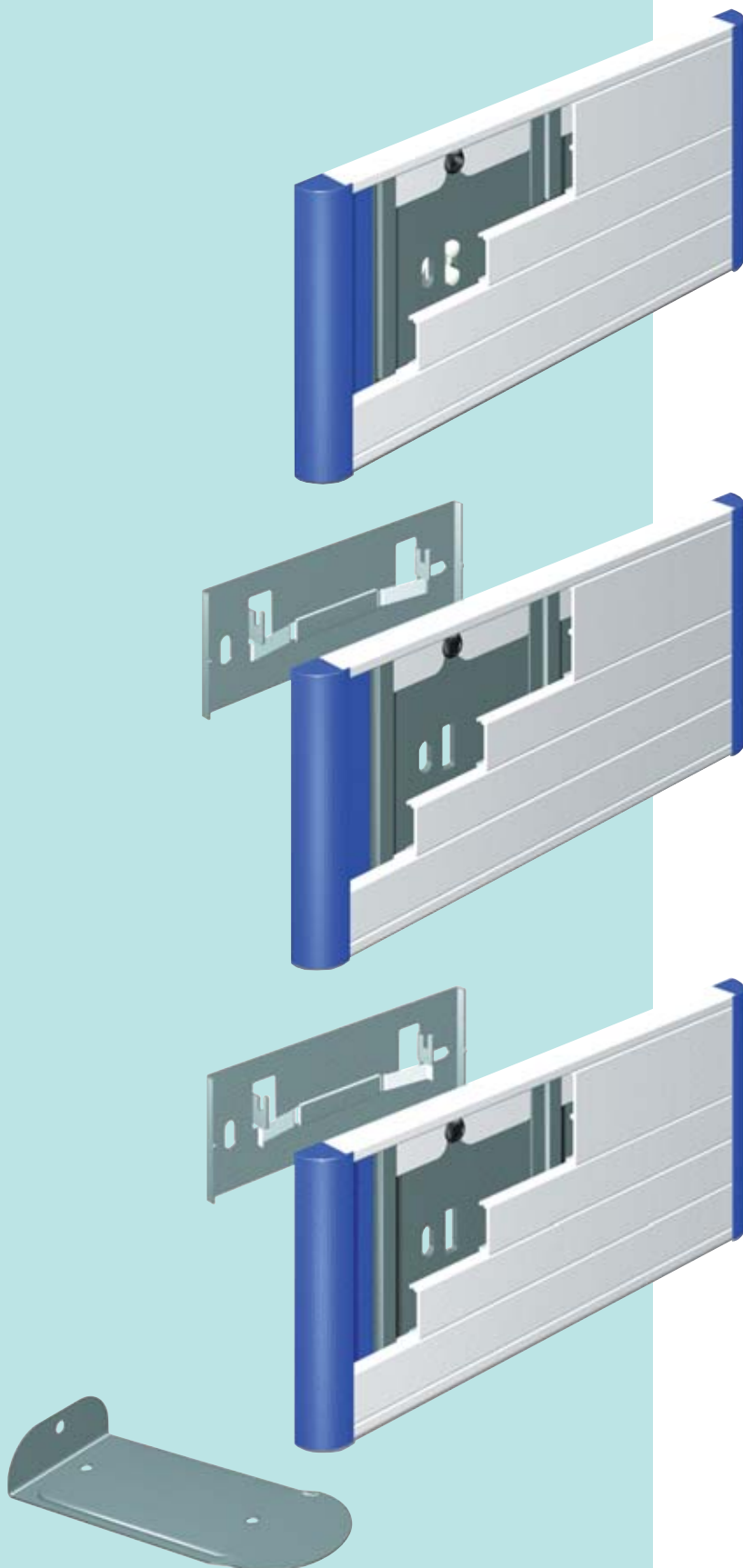
Traditionally mounted signs are fixed directly to walls; fixings passing through the back of the sign into corresponding holes made in the wall. Spacers on the rear face of the sign make up for any unevenness in wall surfaces.

### Wall mounting with mounting plate

Using this method, the mounting plate is fixed directly to the wall and the sign is hung on to it. This system facilitates speedy removal and re-attachment of the complete sign and is particularly recommended where information on signs is frequently changed. Just remove the sign from the mounting plate, change the information and rehang the sign.

### Wall mounting with mounting plate and security fitting

An integral security fitting prevents unauthorised removal of the sign. Fixing is carried out in the same way as wall mounting with a plate. A key releases the security fitting to enable the sign to be removed.



# Add-ons

## Versatile and expandable



A wide range of different standard component groups means that many different sign sizes can be produced. Signs can be suspended by means of chains or profiles to suit any desired height or width. Information can be displayed on several lines and on both sides of the sign.

Flag fixed signs may also have information on both sides and are available in a range of sizes.



Particularly slim door signs, only 5 mm in depth, for variable labeling with paper inserts (sizes DIN A4 and DIN A5 available).

# Information boards and directional signs



The new system satisfies an extremely wide variety of requirements with its ability to meet many different and individual needs. For example, floor signs and main signboards from 410 x 392 mm can be produced using Combiflex CF 10.

# Product range



Traffic engineering



Noise control



Indoor and outdoor signage systems



Hiking trail signs



Advertising systems - vehicle signage, exhibition advertising, adhesive film and signs



Mobile and stationary shelving systems

For more information on our product range please visit [www.forster.at](http://www.forster.at)



Forster Verkehrs- und Werbetechnik GmbH  
 A-3340 Waidhofen/Ybbs, Weyrer Strasse 135, Phone +43 7442 501-0, Fax +43 7442 501-300  
 A-1230 Wien, Siebenhirtenstraße 40-42, Phone +43 1 6167585-0, Fax +43 1 6167585-33  
 e-mail: [forster@forster.at](mailto:forster@forster.at), [www.forster.at](http://www.forster.at)

